



SunMate48 Series

Horizontal Energy Storage System



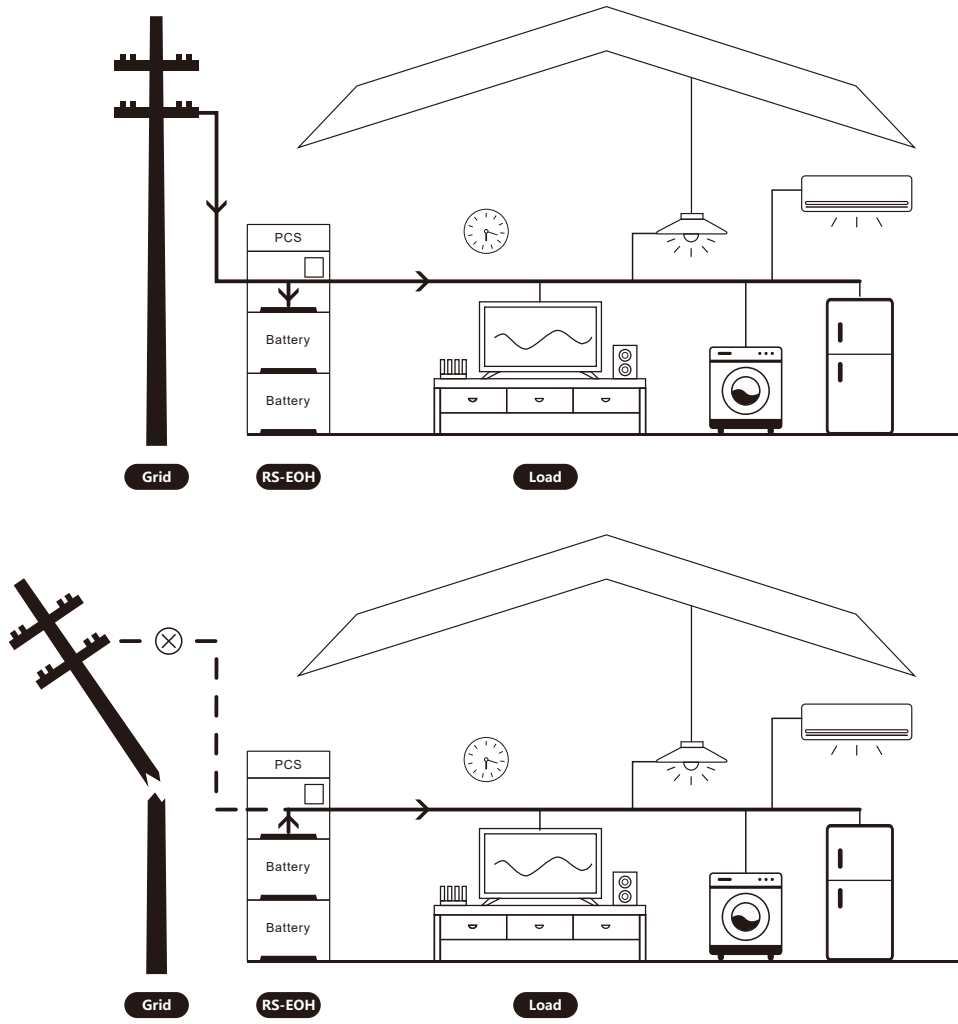
PARAMETER SPECIFICATION



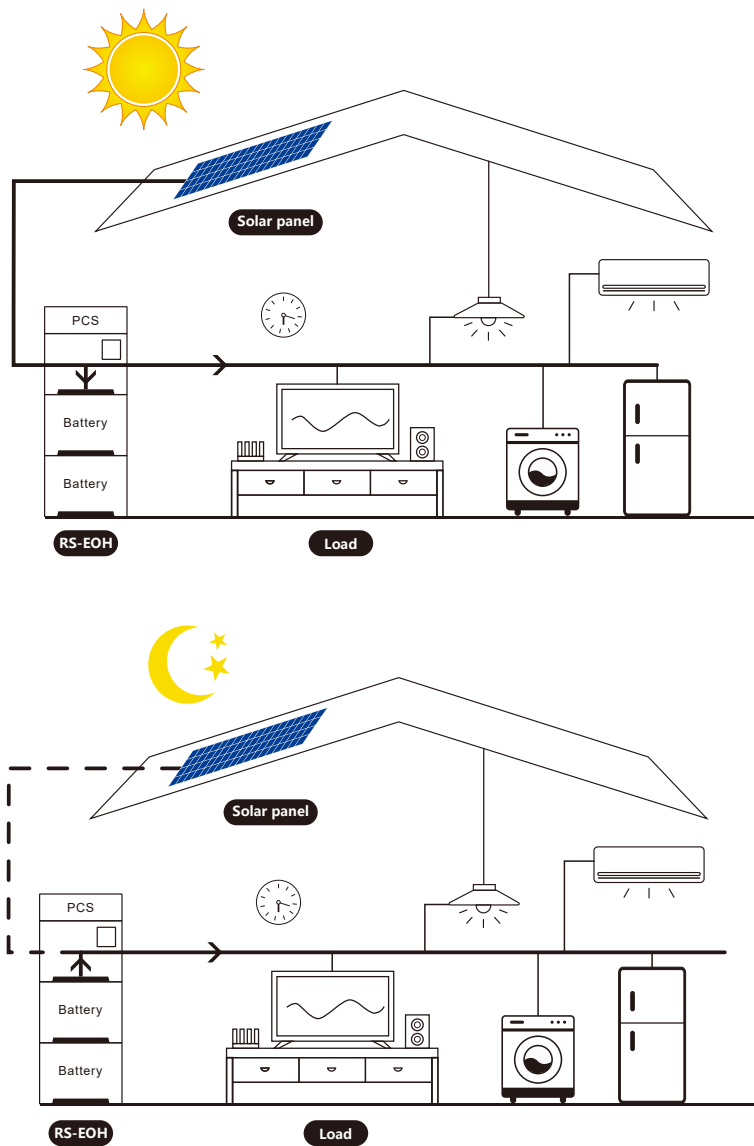
INVERTER TECHNICAL SPECIFICATION	SunMate-C4805S
PV CHARGE	
Solar Charge Type	MPPT
Maximum Output Power	5000W
PV Charging Range	0~80A
PV Operating Voltage Range	120~500V
MPPT Voltage Range	120~450V
AC CHARGE	
Maximum Charge Power	3150W
AC Charging Current Range	0~60A
Rated Input Voltage	220/230Vac
Input Voltage Range	90~280Vac
AC OUTPUT	
Rated Output Power	5KW
Maximum Output Current	30A
Frequency	50Hz
Overload Current	35A
BATTERY INVERTER OUTPUT	
Rated Output Power	5KW
Maximum Peak Power	10KVA
Power Factor	1
Rated Output Voltage (Vac)	230Vac
Frequency	50Hz
Auto Switch Period	< 15ms
THD	< 3%
BATTERY TECHNICAL SPECIFICATION	SunMate-B1605
Number of batteries	1
Battery Energy	5.12kWh
Battery Capacity	100AH
Weight	48.70kg
Dimension L×W×H	710×450×192
Battery Type	LiFePO4
Battery Rated Voltage	51.2V
Battery Working Voltage Range	44.8~57.6V
Maximum Charging Current	100A
Maximum Discharging Current	100A
Parallel Quantity	4
Designed Life-span	≥6000 (80%DOD,0.5C,25°C,70%EOL)
GENERAL DATA	
Communication	RS485/CAN/WIFI
Storage time / temperature	6 months @25°C;3 months @35°C;1 months @45°C;
Charging temperature range	0~45°C
Discharging temperature range	-10~45°C
Operation Humidity	5%~85%
Nominal Operation Altitude	< 2000m
Cooling Mode	Force-Air Cooling
Noise	60dB(A)
Ingress Protection Rating	IP20
Recommended Operating Environment	Indoor
Installation Method	Horizontal
Certification	UN38.3,MSDS,CE
Weight(Inverter)	27kg
Dimension L×W×H(Inverter)	710×450×192

CLASSIC WORKING MODE

Without PV Panel

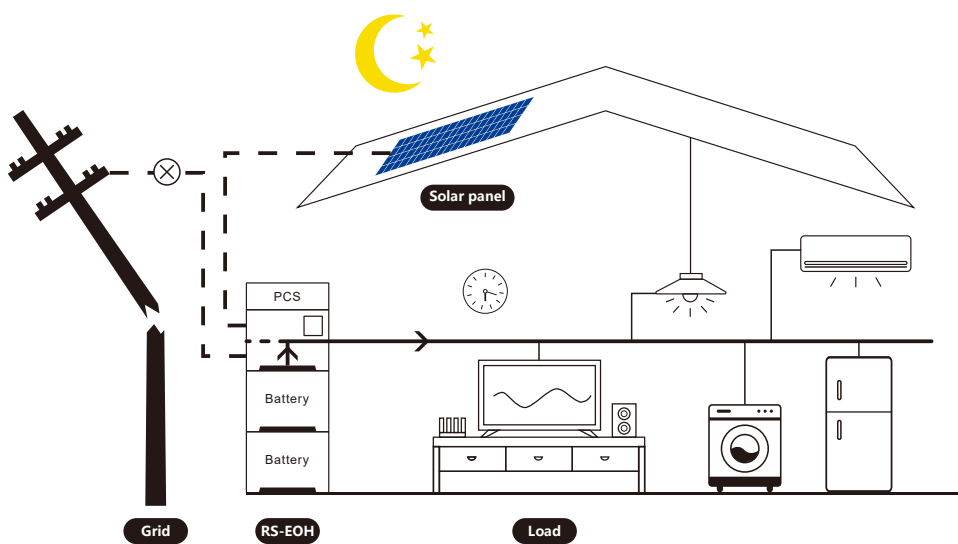
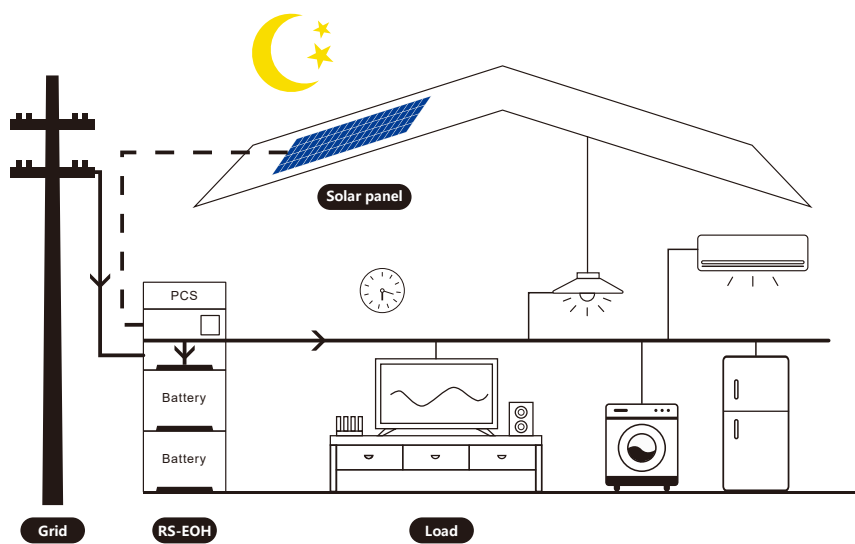
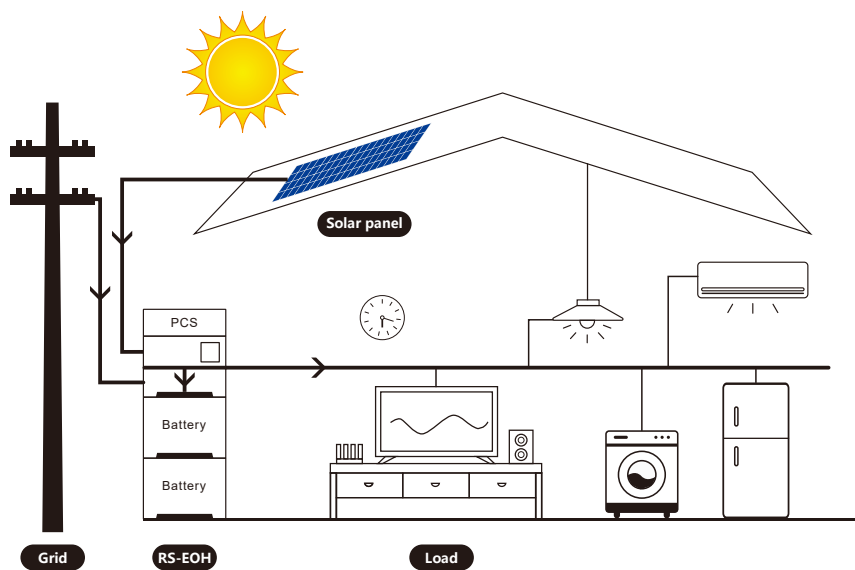


Without Grid



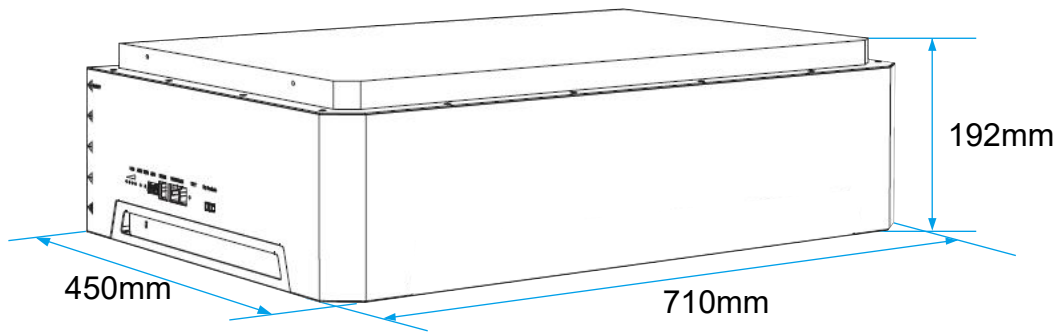
CLASSIC WORKING MODE

Complete system

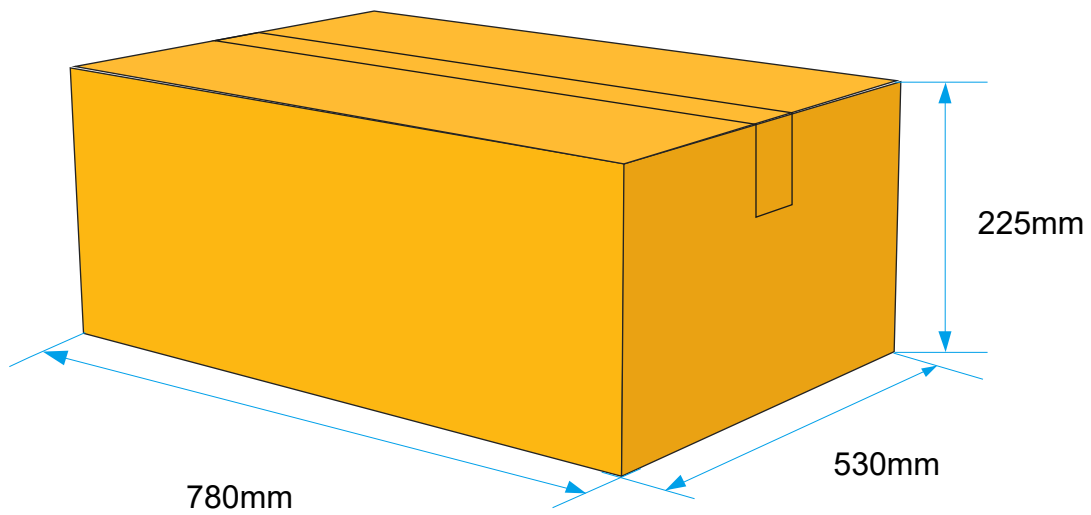


PACKAGE DIMENSIONS

The external dimensions of the energy storage battery module and power module are 710*450*192.



The packaging size of a single energy storage battery module and pcs module is 780*530*225.



The energy storage battery module and PCS module are packed in wooden cases with the size of 1300*1300*1180, the number of packs is 16 PCS, and the total weight is 900 Kg.

